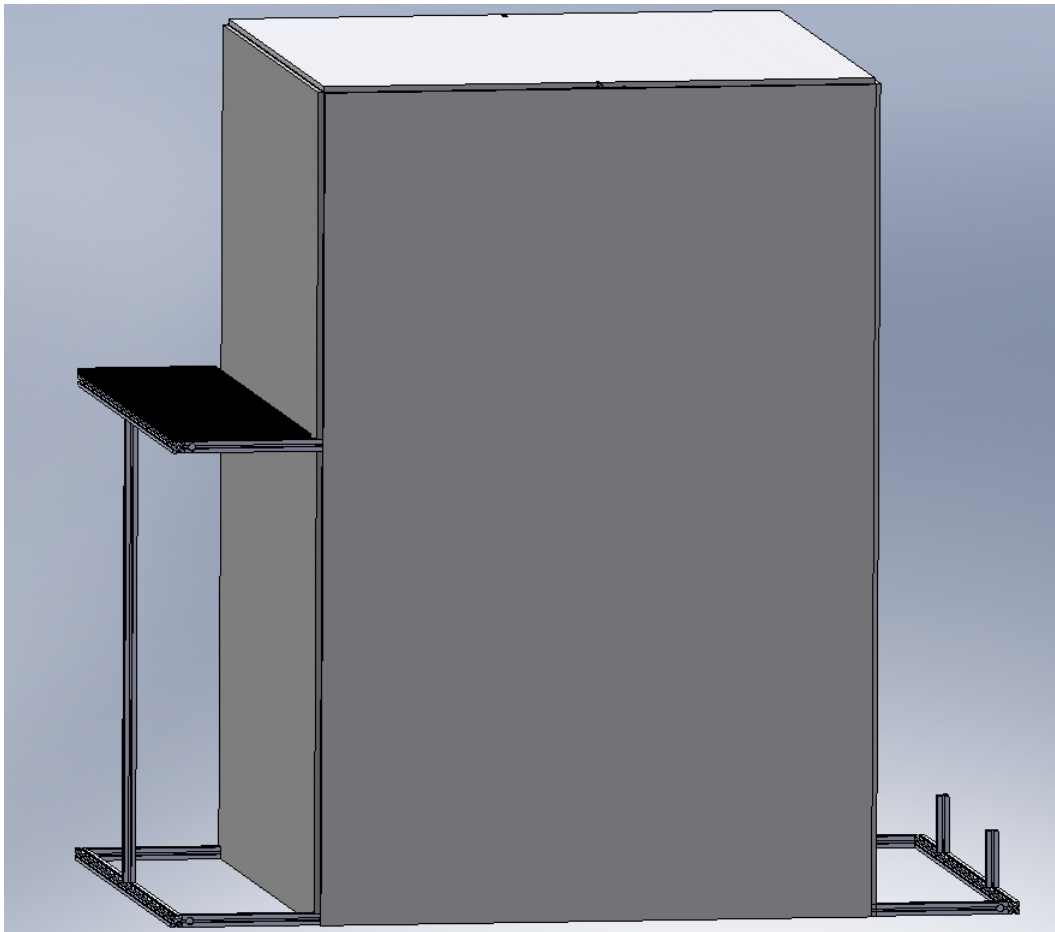


# Assembly Instructions

(Instrucciones de ensambla)

## Tycoons Anechoic chamber

(Compartimiento Anechoic)

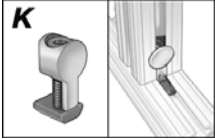





Featuring RFI shielding from TruProtect



# List of Materials included

(Lista de los materiales incluidos)

Part I.D.	Qty.	Part
K	24	
H	24	
G	14	
E	12	
F	1	Black Lexan desk top
A	3	4ft x 6ft shields
B	1	4ft x 6ft back shield
C	1	4ft x 4ft bottom shield
D	1	4ft x 4ft top shield
I	1	Roll of aluminum tape
J	6	1 1/2 in, 1/4 20 bolts
L	48	1/2 in, 1/4 20 bolts
M	12	1 in , 1/4 20 bolts

## List of extrusions included

(La lista de protuberancias incluyó)

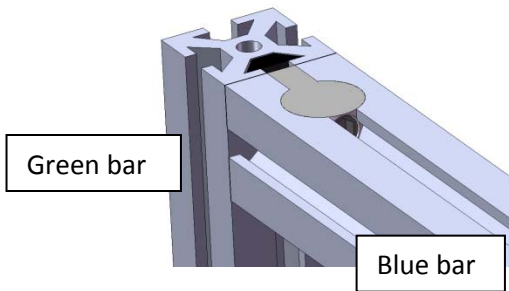
<b>Part I.D.</b>	<b>Qty.</b>	<b>Part length</b>
<b>Green bar</b>	<b>4</b>	<b>72 in</b>
<b>Red bar</b>	<b>2</b>	<b>48 in, bored center</b>
<b>Orange bar</b>	<b>1</b>	<b>48 in, two bores</b>
<b>Blue bar</b>	<b>6</b>	<b>46 in</b>
<b>Yellow bar</b>	<b>8</b>	<b>23 in</b>
<b>Pink bar</b>	<b>2</b>	<b>6 in, tapped end</b>
<b>Black bar</b>	<b>1</b>	<b>40in, tapped ends</b>
<b>Brown bar L</b>	<b>3 Left</b>	<b>12 in</b>
<b>Brown bar R</b>	<b>3 Right</b>	<b>12 in</b>

# STEP 1 (PASO 1)

## Part List

Part	Qty.
Green bar	2
Blue bar	2
K	4
G	2

- Attach the blue bars inside of the Green bars using the anchors
- Fit the anchors into the counter bores as shown



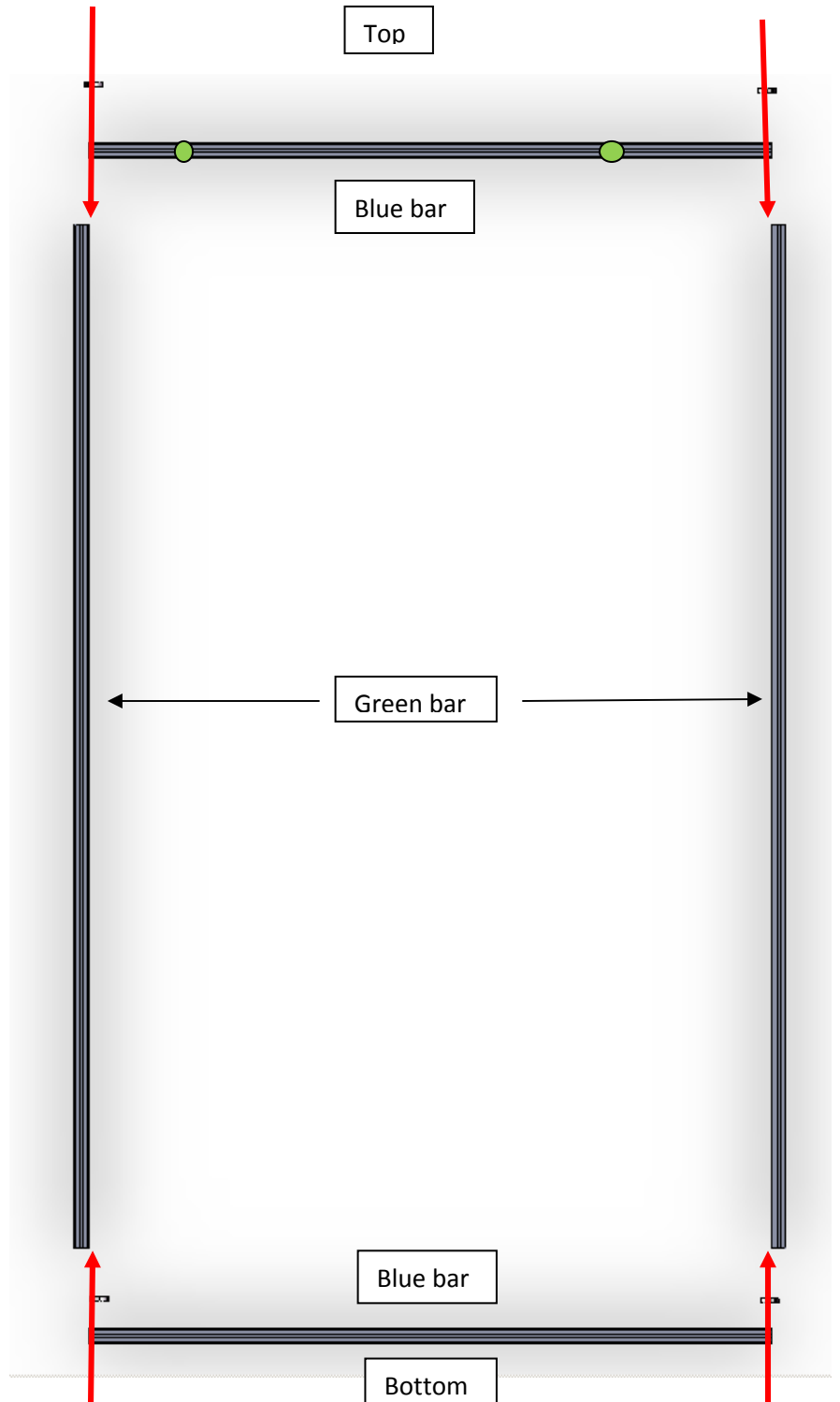
-All anchors are to be facing upward on the bar, insert t-nuts as shown in green

-Torque all anchors

-Repeat Step

(Repetia el paso)

(Image 1)

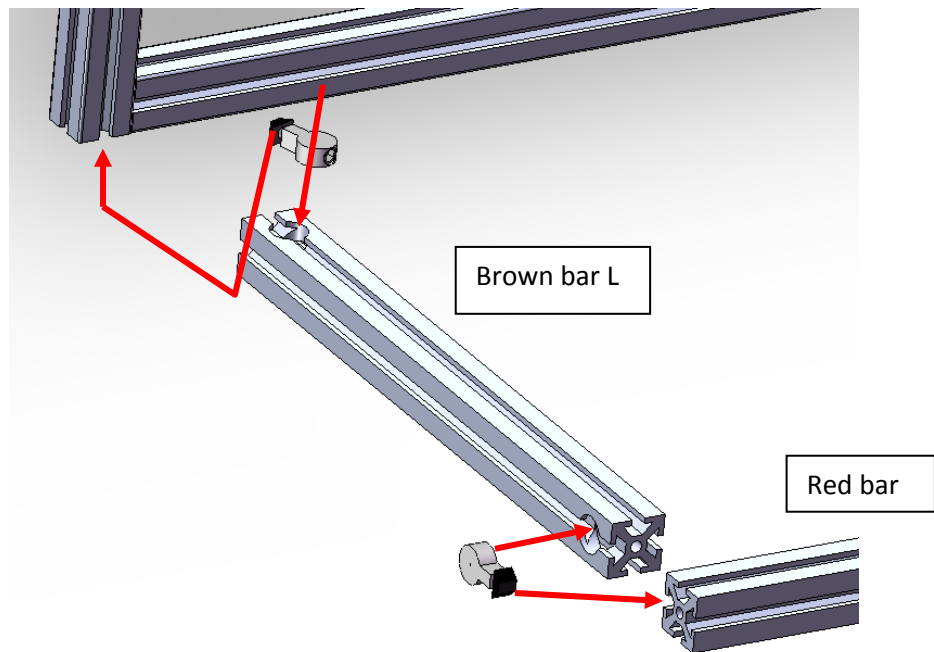


## STEP 2 (PASO 2)

### BOTTOM LEFT (Image 2)

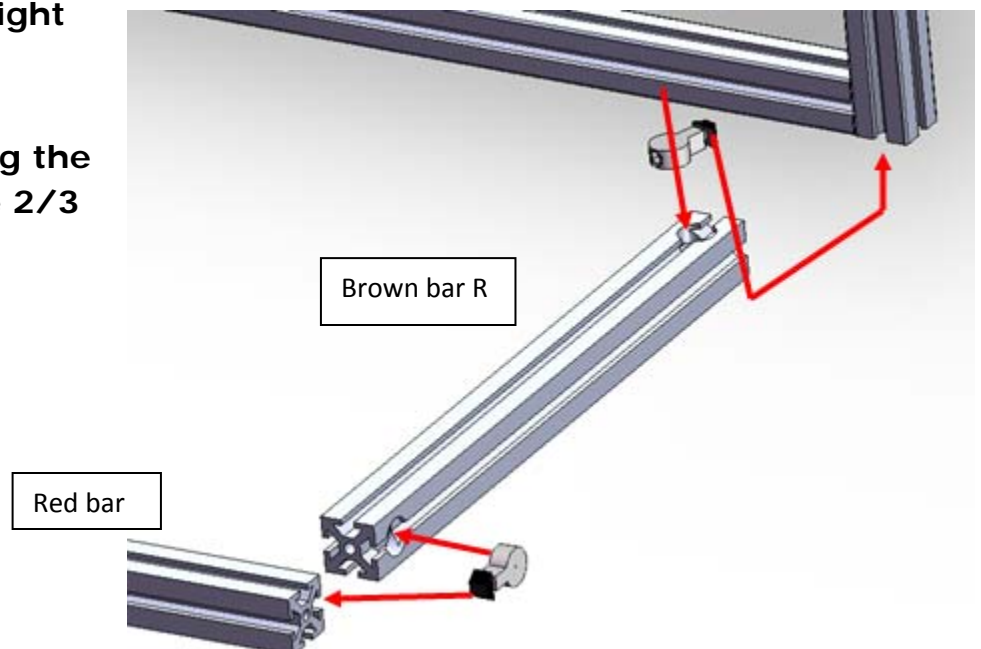
#### Part List

Part	Qty.
Brown bar L	1
Brown bar R	1
Red bar	1
K	4



- For the bottom left side attach the Brown bar L to the vertical green bar and The prostrate Red bar as shown.
- Repeat as shown for the bottom right
- When positioning the Red bar face the 2/3 in counter bore downward.

### BOTTOM RIGHT (Image 3)



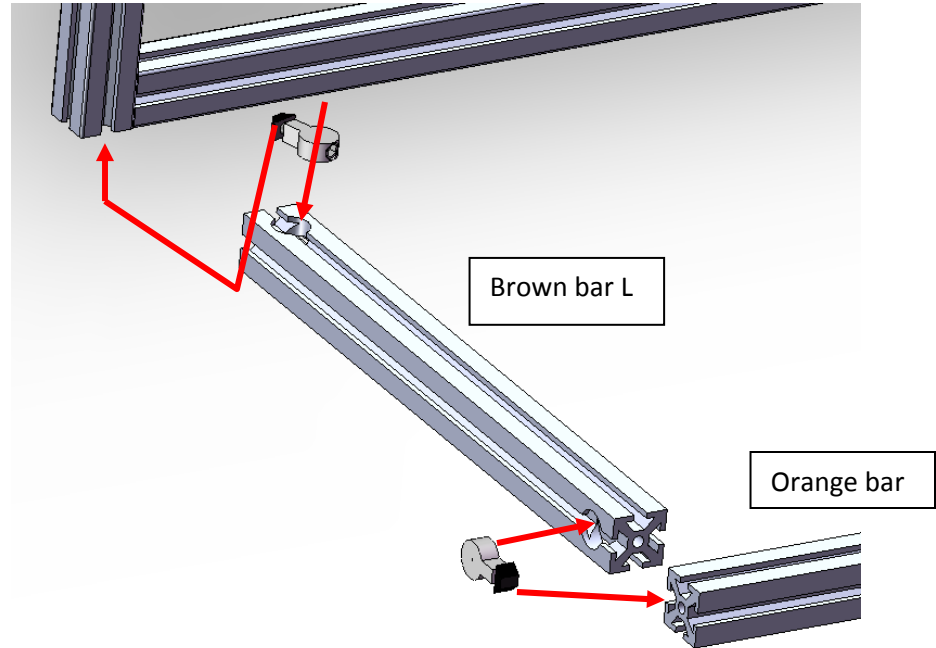
## STEP 3 (PASO 3)

### BOTTOM LEFT (Image 4)

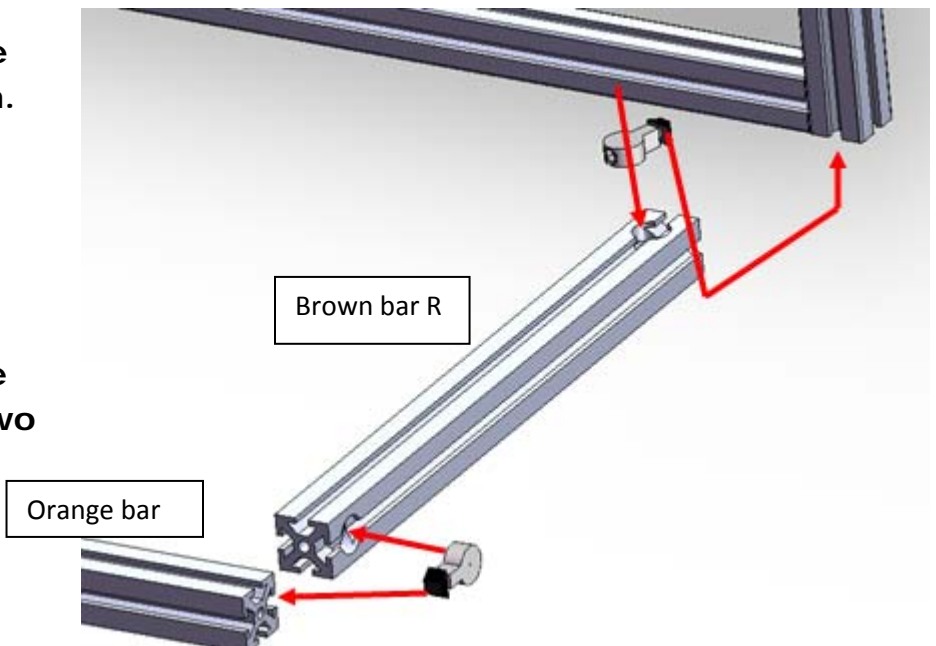
#### Part List

Part	Qty.
Brown bar L	1
Brown bar R	1
Orange bar	1
K	4

- Use the second section of frame from repeating STEP 1
- For the bottom left side attach the Brown bar L to the vertical green bar and the prostrate Orange bar as shown.
- Repeat as shown for the bottom right
- When positioning the Orange bar face the two 2/3 in counter bores downward.



### BOTTOM RIGHT (Image 5)



# STEP 4 (PASO 4)

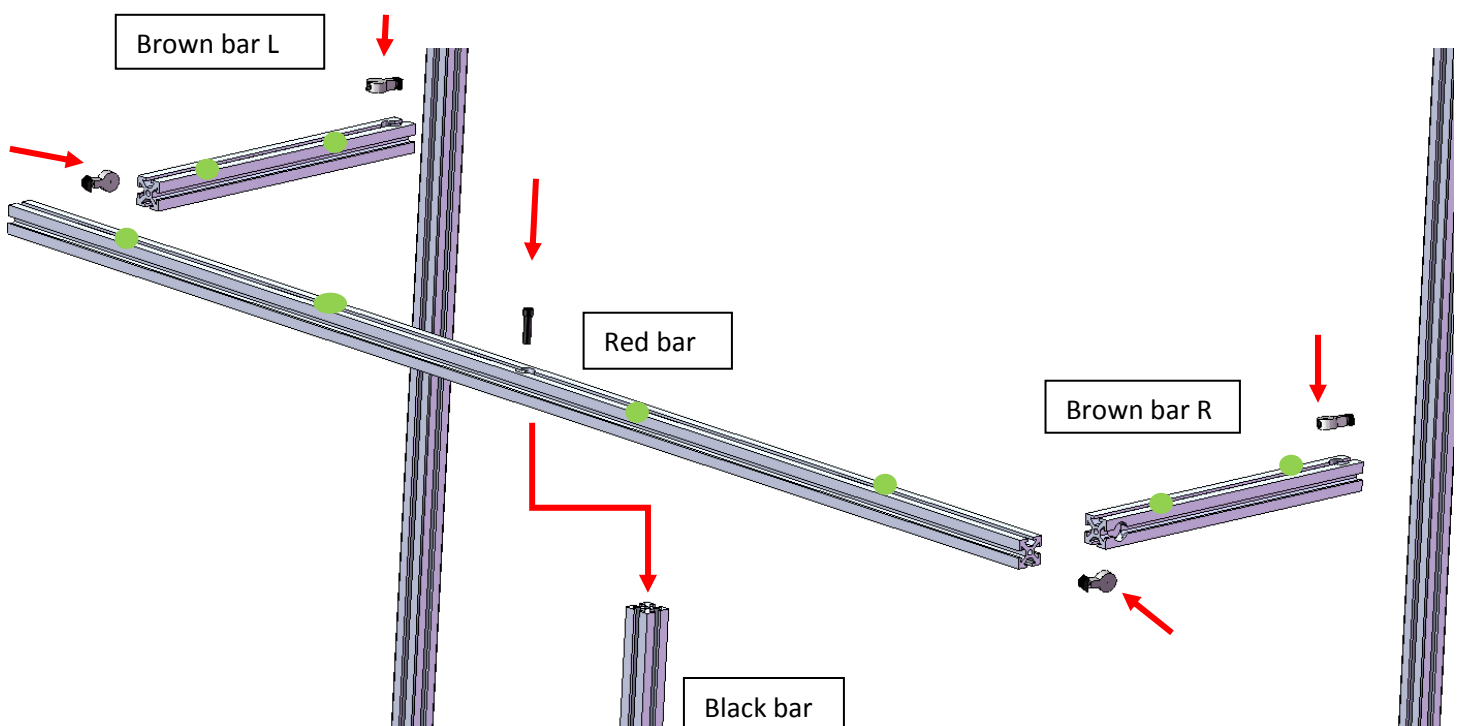
## Part List

Part	Qty.
Brown bar L	1
Brown bar R	1
Red bar	1
Black bar	1
K	4
M	2
G	8

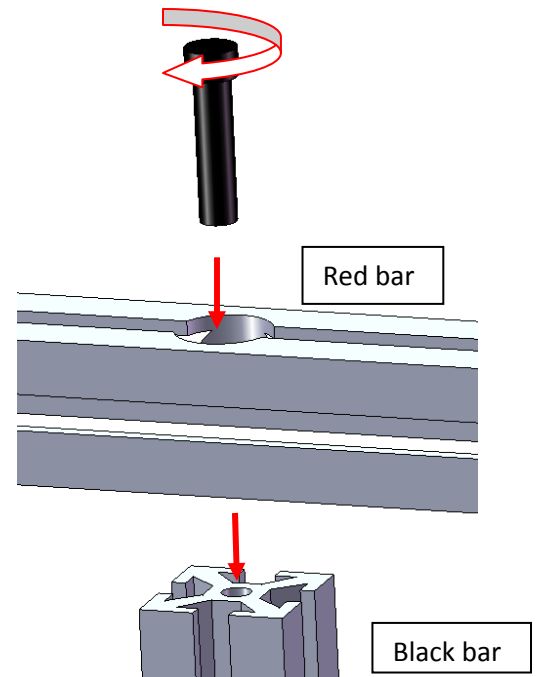
## Frame from STEP 2 with the Red bar

-Follow images 2-5 for attaching Brown bar L, Brown bar R and Red Bar. Orient Red bar with the 2/3 in counter bore facing upward.

(Image 6)



- Slide the T slot nuts into place as shown in green
- Using the 1 in bolts, thread the screw through the counter sink and screw into the threaded ends of the Black bar
- This must be done on both ends of the bar
  - o Make sure once again that the countersinks are away from the Black bar



## Progress:

(Image 7)  
above

Attaching  
the Black bar  
to the Red  
bars

(Image 8)  
right

These are  
the two  
sides that  
have been  
completed  
thus far





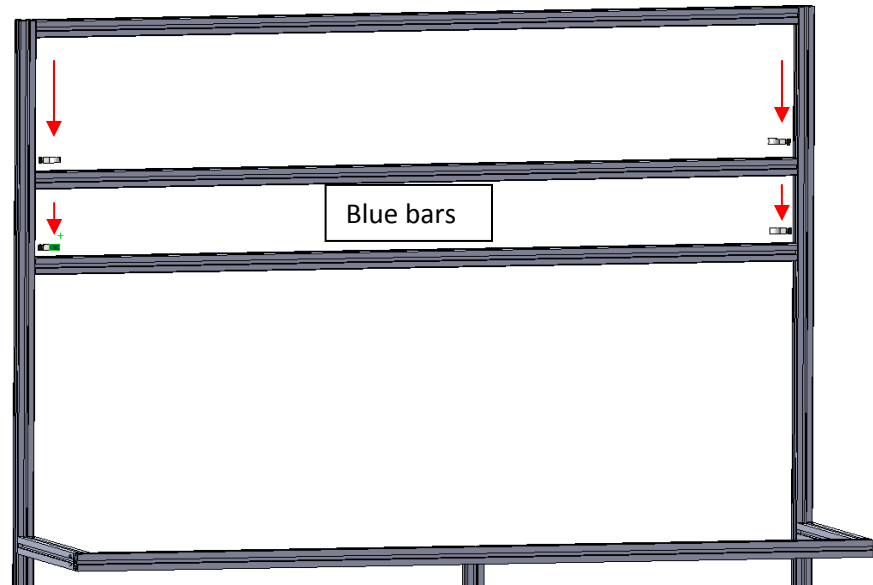
# STEP 5 (PASO 5)

(Image 9)

## Part List

Part	Qty.
Blue bar	2
K	4

Frame from STEP 4



- Location for the blue bars is determined by user
- The height can be set at any point along the green bars
- These blue bars will be used to mount the antenna within the chamber

# STEP 6 (PASO 6)

(Image 10)

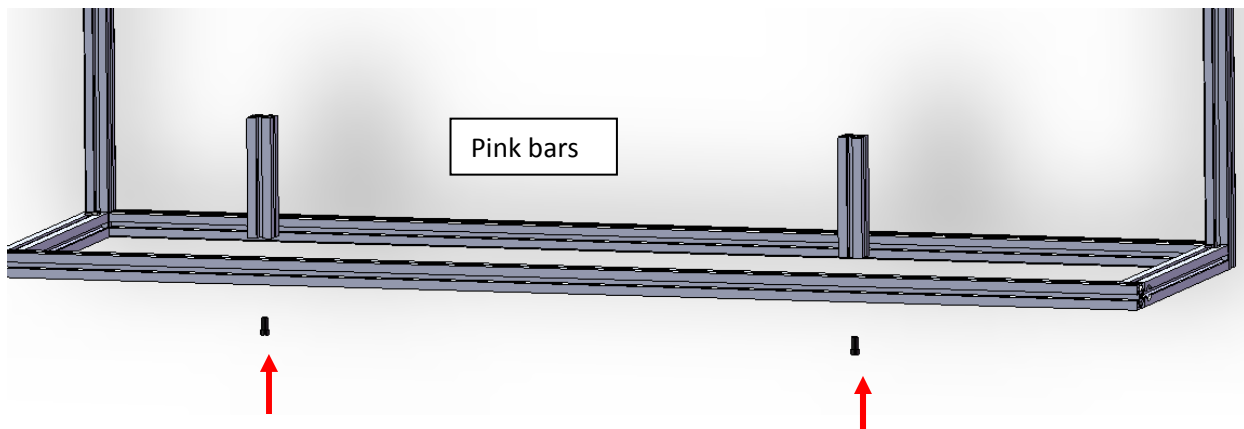
## Part List

Part	Qty.
Pink bar	2
M	2

## Frame from STEP 3

- Using the frame from STEP 3
- Thread the 1 in bolts up from the bottom, through the counter sinks in the Orange bar
- Torque the bolts into the threaded end of the Pink bars, keeping the faces parallel as shown in Image 10

(Image 10)

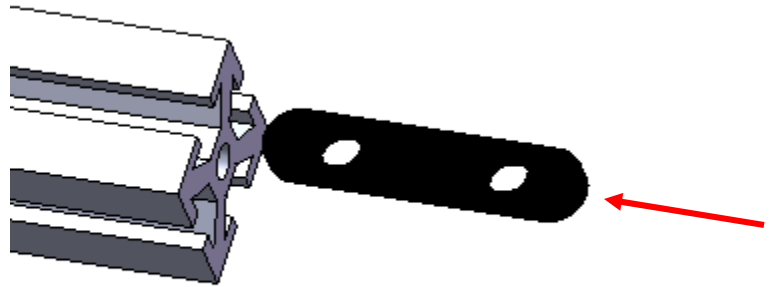


# STEP 7 (PASO 7)

## Part List

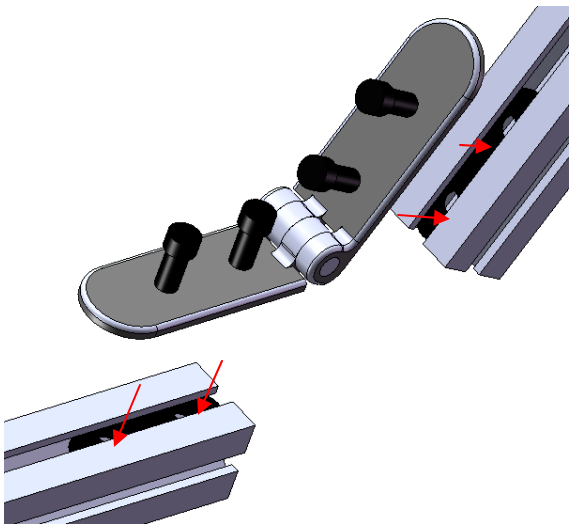
Part	Qty.
Yellow bar	2
H	2
L	4
E	1

(Image 11)

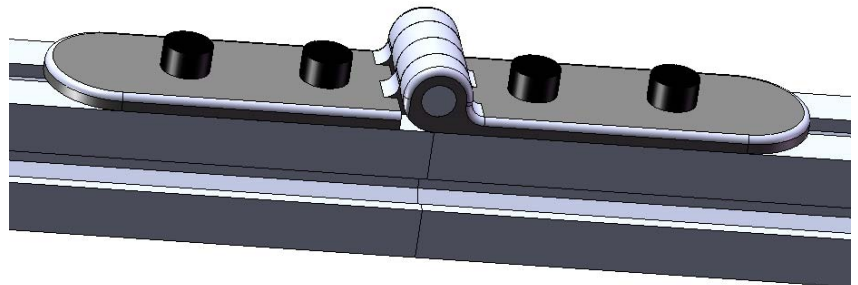


- Insert a double T-slot nut into an end of each Yellow bar as shown in Image 11
- Thread the ½ in bolts through the hinge and tighten into the nuts as seen in image 13
- The Yellow bars must be touching end to end tightly when the hinges are fully open
- This makes the hinged portion into a straight beam as seen in image 12
- **REPEAT to complete 4**

(Image 12)



(Image 13)

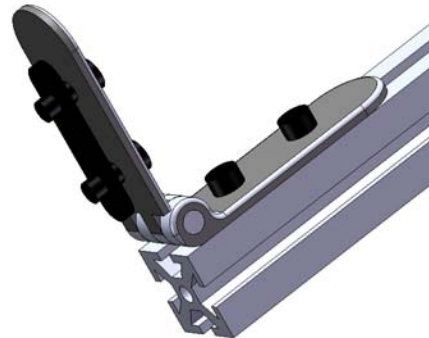


## STEP 8 (PASO 8)

(Image 14)

### Part List

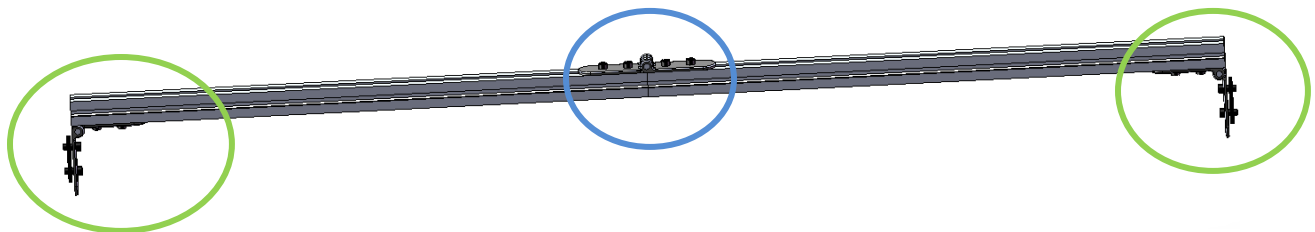
Part	Qty.
E	2
H	4
L	8



### Hinging bars from STEP 7

- Using the hinged bars from Step 7, attach the hinges in the same manner with the double t nuts and bolts
- The hinges must be on the opposite side of the beams than the previous hinge as seen in Image 15
  - o The first hinge is circle in blue, the ones being put on are circled in green
- Place the hinges on the far ends of the bars
  - o While bent a 90 degrees the non attached end of the hinge must be flush with the butt end of bar as seen in Image 14

(Image 15)



- As seen in Image 14, thread the bolts through the hinge and into the double t nuts on the free side of the hinge
- Keep the connection loose so that the nut can be slid into a t-slot

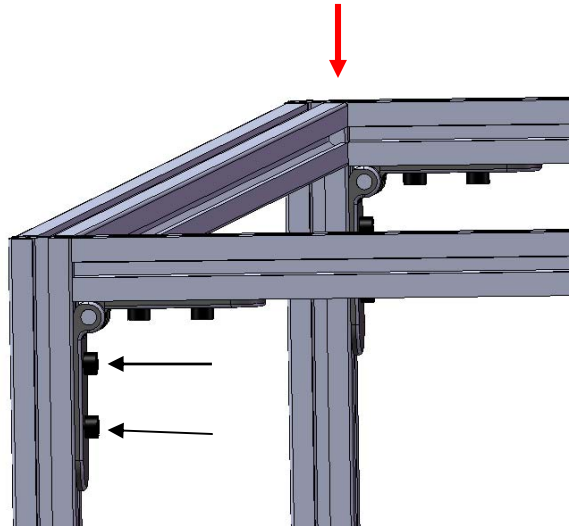
**REPEAT** for all 4 hinged bars from STEP 7

# STEP 9 (PASO 9)

## Part List

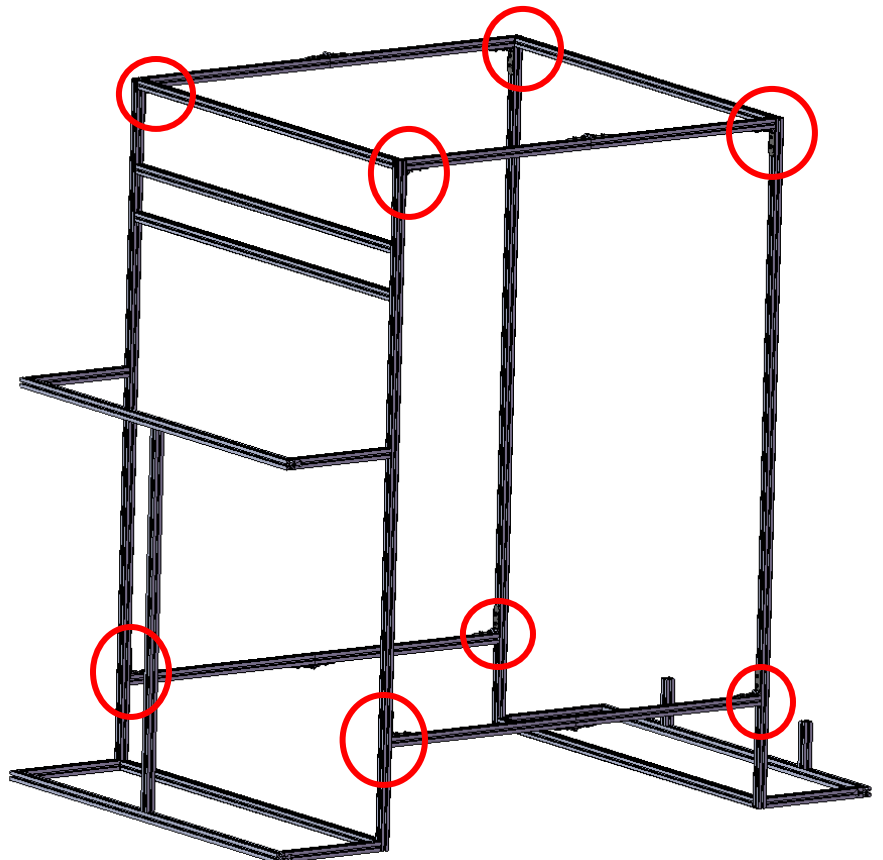
- | Part                     | Qty. |
|--------------------------|------|
| Hinging bars from STEP 8 |      |
| Frame from STEP 5        |      |
| Frame from STEP 6        |      |

(Image 16)



- Slide the double t nuts into the green bars, on the opposite side from the bottom feet and table
- Slide the hinges in as shown by the red arrow in Image 16, tighten in where the black arrows are focused
- The lower bars must be 12 inches off of the ground
- All of the connections are highlighted by the red circles in Image 17

(Image 17)



# STEP 10 (PASO 10)

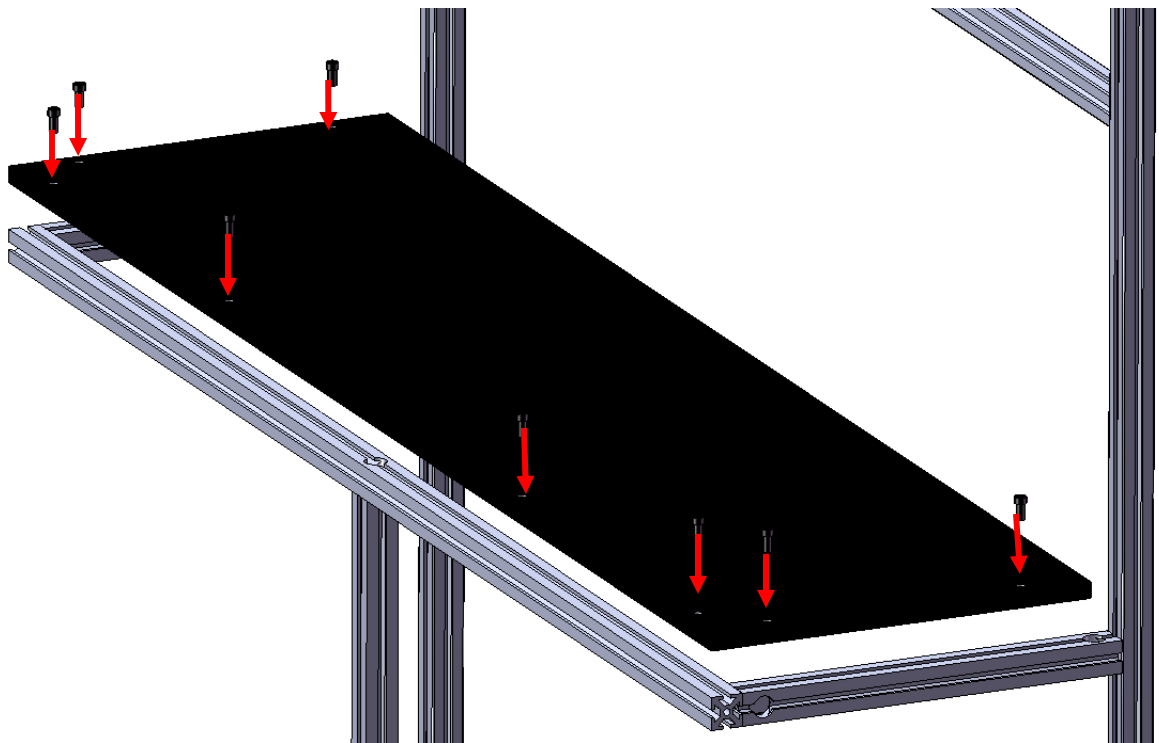
## Part List

Part	Qty.
C	1
M	8

## Frame from STEP 9

- Mount the Lexan table to the frame using the 1 in bolts as seen in Image 18
- Thread the bolts through the Lexan and into the t nuts in the frame from STEP 4

(Image 18)



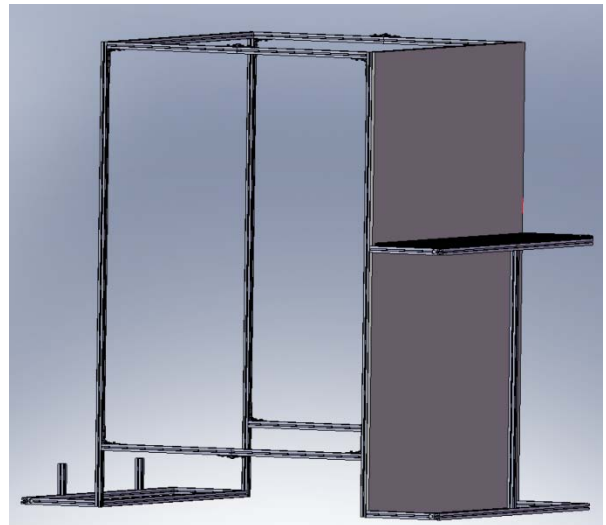
# STEP 11 (PASO 11)

(Image 19)

## Part List

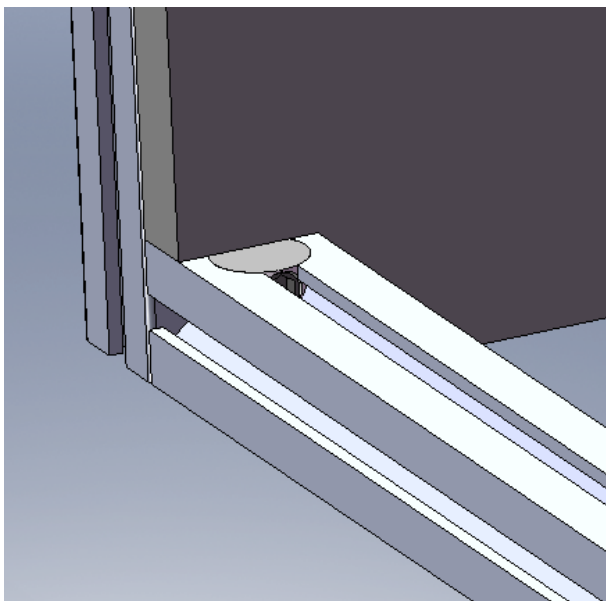
Part	Qty.
B	1
J	2

Frame from STEP 10

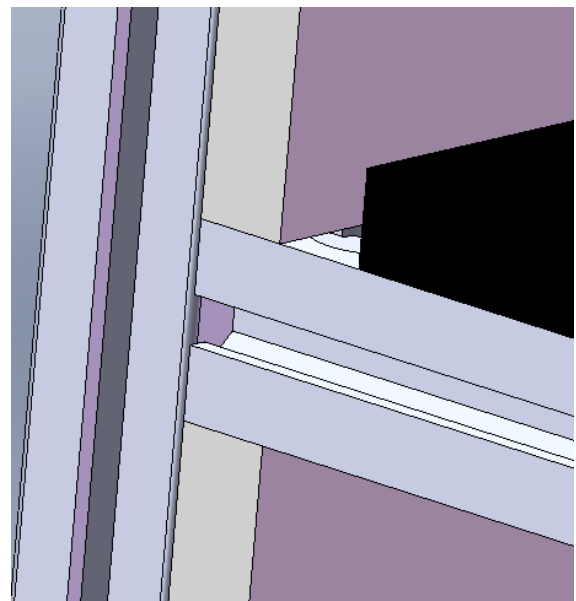


- Using the 1 ½ in bolts thread them trough the holes at the top of the panel
- Screw into the t nuts placed in the frame in STEP 1
- Match up the notches in the bottom and middle with the frame as seen in images 20 and 21 respectively

(Image 20)



(Image 21)



# STEP 12 (PASO 12)

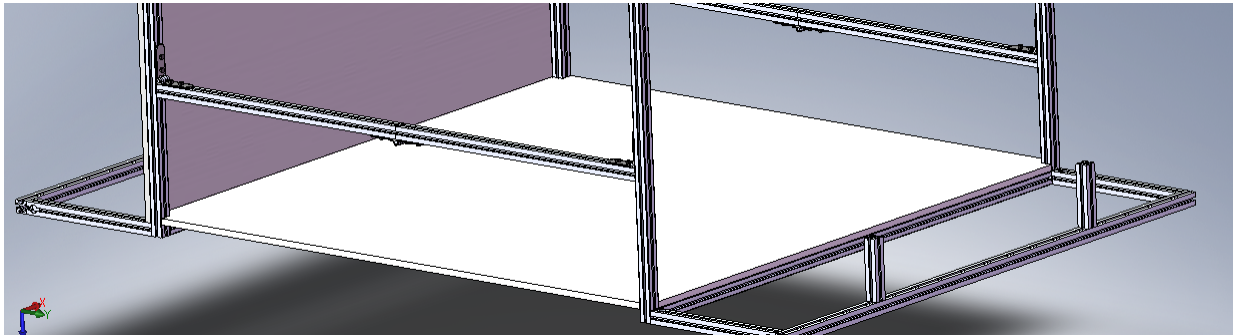
## Part List

Part	Qty.
B	1

## Frame from STEP 11

- Place the bottom shield in place lining up all of the notches as seen in Image 22

(Image 22)





# STEP 13 (PASO 13)

## Part List

Part	Qty.
A	3
D	1
J	6

## Frame from STEP 12

- Thread the 1 ½ in bolts through the holes in the top of the shields
- On the side adjacent from the back panel use the t nuts placed in the frame in STEP 1
- On the side thread the bolts on to t nuts and slide the nut into the extrusion through the hinged beam
- Place the top shield on
- Seal all edges when ready to test with aluminum tape
- Final build is presented in Image 23

(Image 23)

